

OCCUPANCY SENSOR

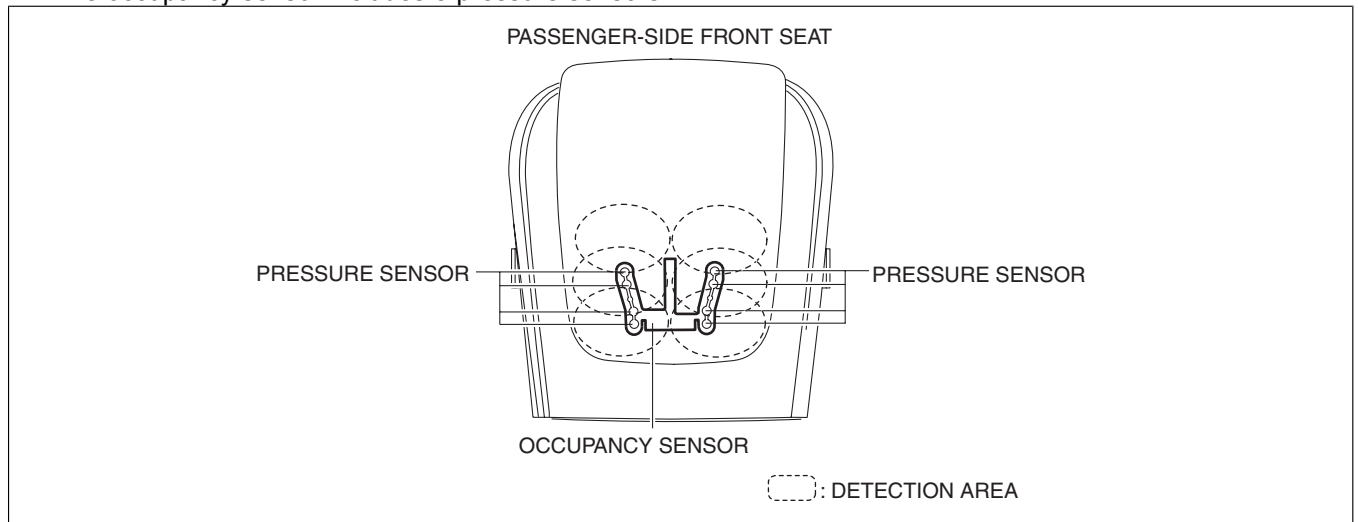
id091300110400

Purpose, Function

- The occupancy sensor detects weight on the seat area of the front passenger seat cushion.

Construction

- The occupancy sensor is integrated with the front passenger seat cushion.
- The occupancy sensor includes 8 pressure sensors.



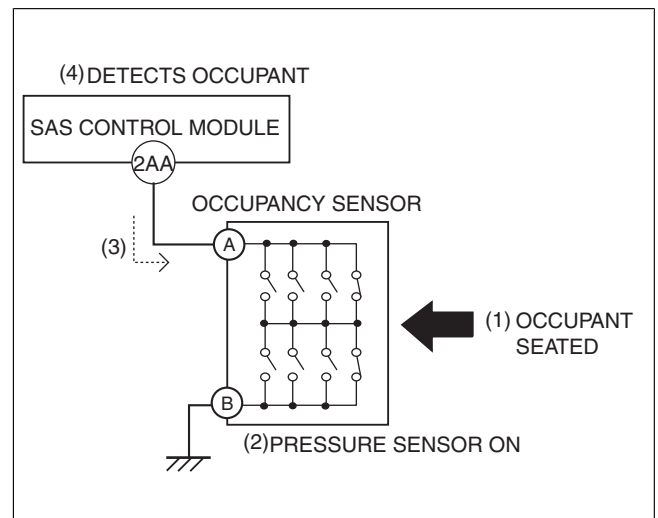
ac3uun00000356

Operation

- When an occupant sits (1) on the passenger-side front seat, the pressure sensor turns on (contact point: Closed) (2).
- When the pressure sensor turns on, current flows from the SAS control module. (3)
- The SAS control module detects the occupant on the front passenger seat by the current flowing to the occupancy sensor. (4)

Note

- Among eight pressure sensors, if one or more sensors on the left and right sides are on (contact point: close), the SAS control module detects an occupant on the front passenger's seat.



ac3wzn00000902

Fail-safe

- Not applicable